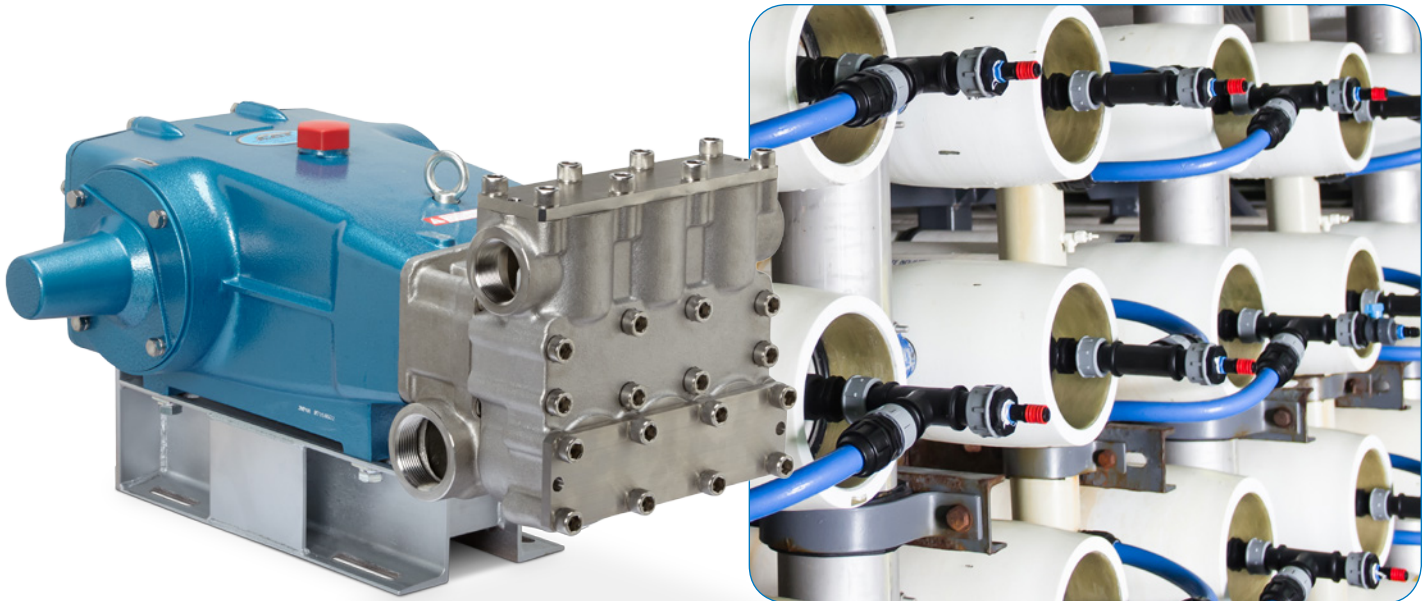


MODEL 67102 PLUNGER PUMP



100 GPM – 1,000 PSI

Engineered for Maximum Dependability

Cat Pumps model 67102 performance rating of 100 gpm/378 lpm at 1,000 psi/69 bar is designed for high-flow applications demanding superior dependability and long-life. The 67102 is perfectly suited for water desalination (SWRO), central cleaning and washdown systems and other high-flow applications.

Cat Pumps engineers focused on every critical design element to produce a pump with incredible service life. The heavy-duty cast duplex stainless steel manifolds stand up to the most demanding, continuous duty applications. The drive-end uses matched connecting rods and oversized bearings to provide thousands of hours of trouble-free service. Concentric, high-density polished solid ceramic plungers provide a true wear surface, resulting in industry-leading seal life. The 67102 is what you expect from Cat Pumps — a high quality, dependable product backed by the industry's best customer service and support.

Features:

- Cast duplex (SCS11) inlet and discharge manifolds provide excellent corrosion resistance
- V-Packings and low pressure seals are completely lubricated and cooled, greatly increasing service life
- Oversized crankshaft bearings with greater loading capacity provide longer bearing life
- Low unswept volume maximizes volumetric efficiency, reducing energy costs and providing consistent flow

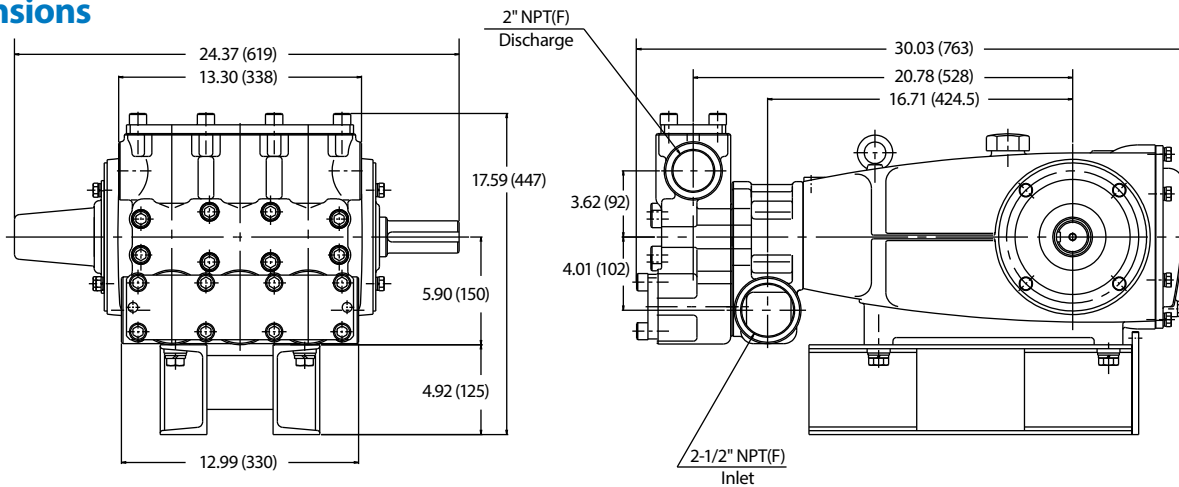
Typical Applications:

- Salt and Brackish Water Desalination (SWRO)
- Wastewater Treatment and Reclamation
- Central Cleaning Systems in Food Processing
- Heavy-Duty Mobile Equipment Washdown
- Multi-Gun Washdown Systems
- High-Flow and Pressure Chemical Processing

Specifications

	US Measure	Metric Measure
Flow	100 gpm	378.5 lpm
Pressure	1000 psi	69 bar
Inlet Pressure Range	Flooded to 60 psi	Flooded to 4 bar
RPM	680	680
Crankcase Capacity	10 qts	9.46 l
Max. Liquid Temperature	140° F	60° C
Inlet Ports (2)	2 1/2" NPT(F)	2 1/2" NPT(F)
Discharge Ports (2)	2" NPT(F)	2" NPT(F)
Weight	363.75 lbs	165 kg
Dimensions	12.67 x 24.37 x 30.03"	322 x 619 x 763 mm

Dimensions



Popular Accessories



Pressure Regulator

PN 7410
10 - 100 GPM
100 - 1,500 psi



Relief Valve

PN 890702
25 - 210 gpm
500 - 2,000 psi



Pressure Gauge

PN 6073
0 - 3,000 psi



Pulsation Dampener

PN 701557
214 cu. in.
1,275 psi



Oil

PN 6105
Twin Pack - 2.5 gallon
Specially formulated for extended protection.



PIJTTERSEN

Pijtersen B.V.
Beneluxweg 33
9636 HV Zuidbroek
Tel.: +31(0)50-8200963

KvK 01013855
BIC RABONL2U
BTW NL002166811B01
IBAN NL24 RABO 0353 2970 97



The Pumps with Nine Lives